

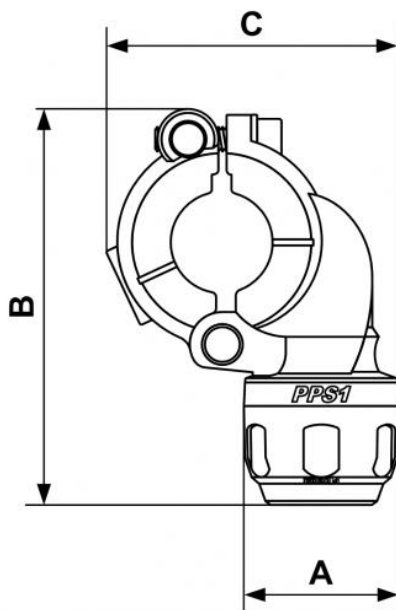
## PPS1 BP - Presa di derivazione in alluminio per tubo



|                                       |  |  |   |
|---------------------------------------|--|--|---|
| <u>Per tubo Ø est. (mm)</u><br>(1) 16 | <u>Tecnologia</u><br>PPS Grip Concept          | <u>Pressione di utilizzazione</u><br>0 a 16 bar    | <u>Depressione</u><br>-0.98 bar (vuoto 98%) |
| <u>Temperatura</u><br>-20°C a +80°C   | <u>Materiale</u><br>Tubo e raccordi: alluminio | <u>Vantaggio</u><br>Sistema in continua evoluzione | <u>Conforme alle normative</u><br>PED REACH |

| Descrizione |                      |
|-------------|----------------------|
| Riferimento | Per tubo Ø est. (mm) |
| PPS1 BP2516 | (1) 16               |
| PPS1 BP2520 | (1) 20               |
| PPS1 BP3216 | (1) 16               |
| PPS1 BP3220 | (1) 20               |
| PPS1 BP4016 | (1) 16               |
| PPS1 BP4020 | (1) 20               |
| PPS1 BP4025 | (1) 25               |
| PPS1 BP5016 | (1) 16               |

| Riferimento  | Per tubo Ø est. (mm) |
|--------------|----------------------|
| PPS1 BP5020  | (1) 20               |
| PPS1 BP5025  | (1) 25               |
| PPS1 BP6320  | (1) 20               |
| PPS1 BP6325  | (1) 25               |
| PPS1 BP6332  | (1) 32               |
| PPS1 BP8020  | (1) 20               |
| PPS1 BP8025  | (1) 25               |
| PPS1 BP8032  | (2) 32               |
| PPS1 BP10025 | (2) 25               |
| PPS1 BP10032 | (2) 32               |



### Dimensions

| Riferimento | A mm | B mm | C mm |
|-------------|------|------|------|
| PPS1 BP2516 | 32   | 94   | 70   |
| PPS1 BP2520 | 38   | 98   | 72   |
| PPS1 BP3216 | 32   | 94   | 70   |
| PPS1 BP3220 | 38   | 98   | 72   |
| PPS1 BP4016 | 32   | 122  | 102  |
| PPS1 BP4020 | 38   | 127  | 102  |
| PPS1 BP4025 | 46   | 130  | 103  |
| PPS1 BP5016 | 32   | 122  | 102  |
| PPS1 BP5020 | 38   | 127  | 102  |
| PPS1 BP5025 | 46   | 130  | 103  |
| PPS1 BP6320 | 38   | 163  | 147  |
| PPS1 BP6325 | 46   | 167  | 147  |

| Riferimento         | A mm | B mm | C mm |
|---------------------|------|------|------|
| <b>PPS1 BP6332</b>  | 57   | 165  | 147  |
| <b>PPS1 BP8020</b>  | 38   | 163  | 147  |
| <b>PPS1 BP8025</b>  | 46   | 167  | 147  |
| <b>PPS1 BP8032</b>  | 57   | 165  | 147  |
| <b>PPS1 BP10025</b> | 200  | 159  |      |
| <b>PPS1 BP10032</b> | 215  | 159  |      |