

## Raccordo dritto maschio conico - RPD MR



### Filettatura maschio

**BSPT**

R 1/8

### Per tubo Ø est. (mm)

4

### Pressione di utilizzo

0 a 10 bar

### Temperatura

0°C a + 60°C

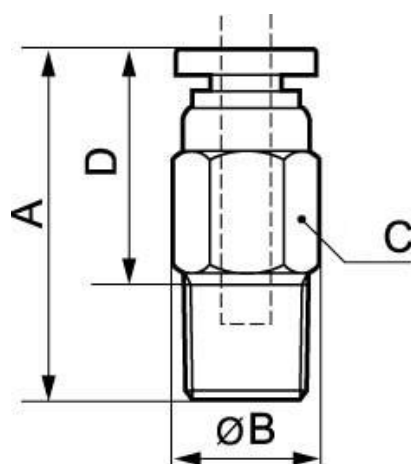
### Materiale

Polimero e ottone nichelato

## Descrizione

Riferimento	Filettatura maschio BSPT	Per tubo Ø est. (mm)
<b>RPD MR0400</b>	R 1/8	4
<b>RPD MR0401</b>	R 1/4	4
<b>RPD MR0500</b>	R 1/8	5
<b>RPD MR0501</b>	R 1/4	5
<b>RPD MR0502</b>	R 3/8	5
<b>RPD MR0503</b>	R 1/2	5

Riferimento	Filettatura maschio BSPT	Per tubo Ø est. (mm)
RPD MR0600	R 1/8	6
RPD MR0601	R 1/4	6
RPD MR0602	R 3/8	6
RPD MR0603	R 1/2	6
RPD MR0800	R 1/8	8
RPD MR0801	R 1/4	8
RPD MR0802	R 3/8	8
RPD MR0803	R 1/2	8
RPD MR1000	R 1/8	10
RPD MR1001	R 1/4	10
RPD MR1002	R 3/8	10
RPD MR1003	R 1/2	10
RPD MR1201	R 1/4	12
RPD MR1202	R 3/8	12
RPD MR1203	R 1/2	12
RPD MR1402	R 3/8	14
RPD MR1403	R 1/2	14
RPD MR1602	R 3/8	16
RPD MR1603	R 1/2	16



### Dimensions

Riferimento	A mm	B mm	C mm	D mm
RPD MR0400	21	11.5	10	13.5
RPD MR0401	20	16	14	11
RPD MR0500	22	14	12	14.5
RPD MR0501	21	16	14	12
RPD MR0502	23	19.5	17	12
RPD MR0503	25.5	24	21	12.5
RPD MR0600	22	14	12	14.5
RPD MR0601	21	16	14	12
RPD MR0602	23	19.5	17	12
RPD MR0603	25.5	24	21	12.5
RPD MR0800	27	16	14	19.5
RPD MR0801	24	16	14	15
RPD MR0802	24.5	19.5	17	13.5
RPD MR0803	26	24	21	13

Riferimento	A mm	B mm	C mm	D mm
RPD MR1000	28	19.5	17	20.5
RPD MR1001	29	19.5	17	20
RPD MR1002	27	19.5	17	16
RPD MR1003	26	24	21	13
RPD MR1201	33	22	19	24
RPD MR1202	29.5	22	19	18.5
RPD MR1203	27.5	24	21	8
RPD MR1402	33.1	25	22	22.1
RPD MR1403	31.2	25	22	18.2
RPD MR1602	35	27.5	24	24
RPD MR1603	33	27.5	24	20