

Regolatore di flusso maschio conico, vite esterna - Bidirezionale - RPM BR



Filettatura maschio

BSPT

R 1/8

Per tubo Ø est. (mm)

4

Pressione di utilizzo

0 a 10 bar

Temperatura

0°C a + 60°C

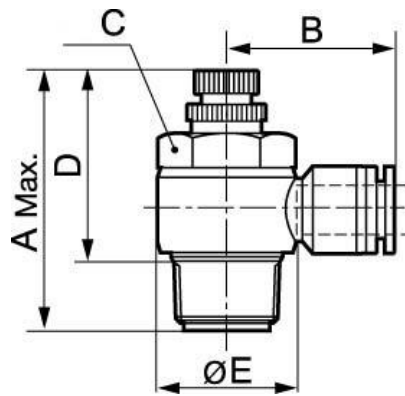
Materiale

Polimero e ottone nichelato

Descrizione

| Riferimento | Filettatura maschio BSPT | Per tubo Ø est. (mm) |
|-------------------|--------------------------|----------------------|
| RPM BR0400 | R 1/8 | 4 |
| RPM BR0401 | R 1/4 | 4 |
| RPM BR0600 | R 1/8 | 6 |
| RPM BR0601 | R 1/4 | 6 |
| RPM BR0602 | R 3/8 | 6 |

| Riferimento | Filettatura maschio BSPT | Per tubo Ø est. (mm) |
|-------------|--------------------------|----------------------|
| RPM BR0603 | R 1/2 | 6 |
| RPM BR0800 | R 1/8 | 8 |
| RPM BR0801 | R 1/4 | 8 |
| RPM BR0802 | R 3/8 | 8 |
| RPM BR0803 | R 1/2 | 8 |
| RPM BR1000 | R 1/8 | 10 |
| RPM BR1001 | R 1/4 | 10 |
| RPM BR1002 | R 3/8 | 10 |
| RPM BR1003 | R 1/2 | 10 |
| RPM BR1201 | R 1/4 | 12 |
| RPM BR1202 | R 3/8 | 12 |
| RPM BR1203 | R 1/2 | 12 |



Dimensions

| Riferimento | A mm | B mm | C mm | D mm | E mm |
|-------------------|------|------|------|------|------|
| RPM BR0400 | 42 | 21.8 | 10 | 34.5 | 14.5 |
| RPM BR0401 | 46 | 24 | 14 | 37 | 18.2 |
| RPM BR0600 | 42 | 23 | 10 | 34.5 | 14.5 |
| RPM BR0601 | 46 | 25.5 | 14 | 37 | 18.2 |
| RPM BR0602 | 55.5 | 27.1 | 19 | 44.5 | 22 |
| RPM BR0603 | 61.5 | 30.1 | 24 | 48.5 | 27.4 |
| RPM BR0800 | 42 | 24.6 | 10 | 34.5 | 14.5 |
| RPM BR0801 | 46 | 26.8 | 14 | 37 | 18.2 |
| RPM BR0802 | 55.5 | 28.8 | 19 | 44.5 | 22 |
| RPM BR0803 | 61.5 | 30.5 | 24 | 48.5 | 27.4 |
| RPM BR1000 | 42 | 28.5 | 10 | 34.5 | 14.5 |
| RPM BR1001 | 46 | 31 | 14 | 37 | 18.2 |
| RPM BR1002 | 55.5 | 31 | 19 | 44.5 | 22 |
| RPM BR1003 | 61.5 | 34 | 24 | 48.5 | 27.4 |
| RPM BR1201 | 46 | 31.8 | 14 | 37 | 18.2 |

| Riferimento | A mm | B mm | C mm | D mm | E mm |
|-------------------|------|------|------|------|------|
| RPM BR1202 | 55.5 | 34 | 19 | 44.5 | 22 |
| RPM BR1203 | 61.5 | 35.8 | 24 | 48.5 | 27.4 |