

Adattatore maschio cilindrico - RPJ PG



Filettatura maschio

BSPP

G 1/8

Raccordo Ø int. (mm)

4

Pressione di utilizzo

0 a 10 bar

Temperatura

0°C a + 60°C

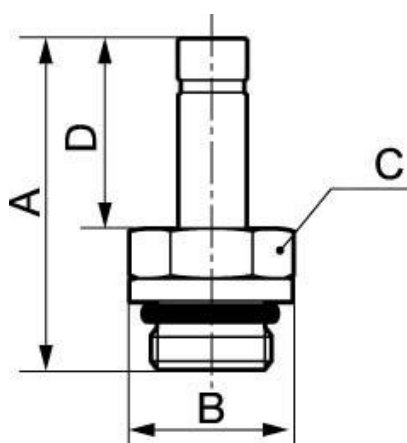
Materiale

Polimero e ottone nichelato

Descrizione

Riferimento	Filettatura maschio BSPP	Raccordo Ø int. (mm)
RPJ PG0400	G 1/8	4
RPJ PG0500	G 1/8	5
RPJ PG0501	G 1/4	5
RPJ PG0600	G 1/8	6
RPJ PG0601	G 1/4	6
RPJ PG0800	G 1/8	8
RPJ PG0801	G 1/4	8

Riferimento	Filettatura maschio BSPP	Raccordo Ø int. (mm)
RPJ PG0802	G 3/8	8
RPJ PG1001	G 1/4	10
RPJ PG1002	G 3/8	10
RPJ PG1201	G 1/4	12
RPJ PG1202	G 3/8	12



Dimensions

Riferimento	A mm	B mm	C mm	D mm
RPJ PG0400	29	13.6	12	18
RPJ PG0500	29	13.9	12	18
RPJ PG0501	31	19.6	17	18
RPJ PG0600	29	13.9	12	18
RPJ PG0601	31	19.6	17	18
RPJ PG0800	32	13.9	12	21
RPJ PG0801	34	19.6	17	21
RPJ PG0802	35	21.9	19	21
RPJ PG1001	36	19.6	17	23
RPJ PG1002	37	21.9	19	23.5
RPJ PG1201	36.5	19.6	17	23.5
RPJ PG1202	37.5	21.9	19	23.5