

Regolatore di flusso unidirezionale - Tubo/Maschio cilindrico - RPL PG



Filettatura maschio

BSPB

G 1/8

Per tubo Ø est. (mm)

4

**Pressione di
utilizzo**

0 a 10 bar

Temperatura

0°C a + 60°C

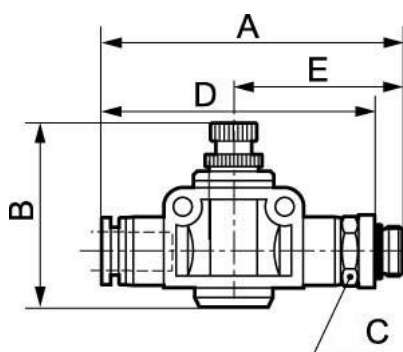
Materiale

Polimero e ottone nichelato

Descrizione

Riferimento	Filettatura maschio BSPB	Per tubo Ø est. (mm)
RPL PG0400	G 1/8	4
RPL PG0600	G 1/8	6
RPL PG0601	G 1/4	6

Riferimento	Filettatura maschio BSPP	Per tubo Ø est. (mm)
RPL PG0800	G 1/8	8
RPL PG0801	G 1/4	8
RPL PG0802	G 3/8	8
RPL PG1001	G 1/4	10
RPL PG1002	G 3/8	10
RPL PG1003	G 1/2	10
RPL PG1201	G 1/4	12
RPL PG1202	G 3/8	12
RPL PG1203	G 1/2	12



Dimensions

Riferimento	A mm	B mm	C mm	D mm	E mm
RPL PG0400	54.1	30	12	48.6	30.1
RPL PG0600	55.5	43	12	50	31
RPL PG0601	56	43	14	50	31.5
RPL PG0800	61.8	47	14	56.3	34.3
RPL PG0801	61.8	47	14	55.8	34.3
RPL PG0802	63.3	47	17	56.8	35.8
RPL PG1001	70.9	54	17	64.9	39.4
RPL PG1002	70.9	54	17	64.4	39.4
RPL PG1003	71.5	54	21	63.5	40
RPL PG1201	81.7	59	19	75.7	44.2
RPL PG1202	81.2	59	19	74.7	43.7
RPL PG1203	82.7	59	21	74.7	45.2