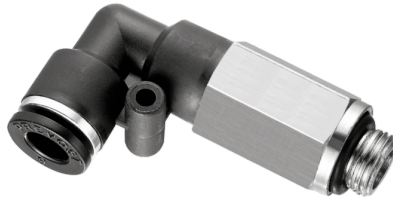


Gomito maschio 90°, girevole lungo cilindrico - RPC LG



Filettatura maschio

BSPP

G 1/8

Per tubo Ø est. (mm)

4

Pressione di

utilizzo

0 a 10 bar

Temperatura

0°C a + 60°C

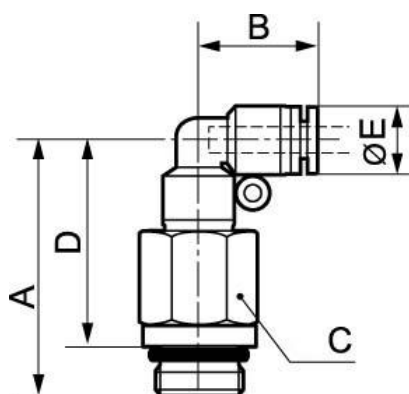
Materiale

Polimero e ottone nichelato

Descrizione

Riferimento	Filettatura maschio BSPP	Per tubo Ø est. (mm)
RPC LG0400	G 1/8	4
RPC LG0401	G 1/4	4
RPC LG0500	G 1/8	5
RPC LG0501	G 1/4	5
RPC LG0502	G 3/8	5
RPC LG0503	G 1/2	5
RPC LG0600	G 1/8	6
RPC LG0601	G 1/4	6

Riferimento	Filettatura maschio BSPP	Per tubo Ø est. (mm)
RPC LG0602	G 3/8	6
RPC LG0603	G 1/2	6
RPC LG0800	G 1/8	8
RPC LG0801	G 1/4	8
RPC LG0802	G 3/8	8
RPC LG0803	G 1/2	8
RPC LG1000	G 1/8	10
RPC LG1001	G 1/4	10
RPC LG1002	G 3/8	10
RPC LG1003	G 1/2	10
RPC LG1201	G 1/4	12
RPC LG1202	G 3/8	12
RPC LG1203	G 1/2	12
RPC LG1402	G 3/8	14
RPC LG1403	G 1/2	14
RPC LG1602	G 3/8	16
RPC LG1603	G 1/2	16



Dimensions

Riferimento	A mm	B mm	C mm	D mm	E mm
RPC LG0400	34.5	17.5	14	29	10
RPC LG0401	35	17.5	17	29	10
RPC LG0500	40	20.5	14	34.5	12.8
RPC LG0501	42	20.5	17	36	12.8
RPC LG0502	43.5	20.5	21	37	12.8
RPC LG0503	44.5	20.5	24	36.5	12.8
RPC LG0600	40	20.5	14	34.5	12.8
RPC LG0601	42	20.5	17	36	12.8
RPC LG0602	43.5	20.5	21	37	12.8
RPC LG0603	44.5	20.5	24	36.5	12.8
RPC LG0800	44	22.5	14	38.5	13.8
RPC LG0801	44	22.5	14	38	13.8
RPC LG0802	45.5	22.5	17	39	13.8
RPC LG0803	46.5	22.5	24	38.5	13.8
RPC LG1000	51.7	26.3	17	46.2	16.8

Riferimento	A mm	B mm	C mm	D mm	E mm
RPC LG1001	52.2	26.3	17	46.2	16.8
RPC LG1002	52.2	26.3	21	45.7	16.8
RPC LG1003	53.2	26.3	24	45.2	16.8
RPC LG1201	55	27.8	19	49	19.8
RPC LG1202	54.5	27.8	21	48	19.8
RPC LG1203	56	27.8	24	48	19.8
RPC LG1402	57	29.8	24	50.5	22.7
RPC LG1403	58.5	29.8	24	50.5	22.7
RPC LG1602	58.5	30.8	24	52	23.8
RPC LG1603	60	30.8	24	52	23.8