

Banjo maschio, girevole conico - RPB MR



Filettatura maschio

BSPT

R 1/8

Per tubo Ø est. (mm)

4

Pressione di utilizzo

0 a 10 bar

Temperatura

0°C a + 60°C

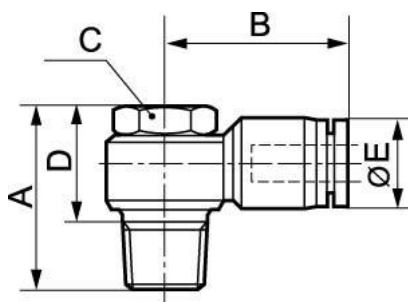
Materiale

Polimero e ottone nichelato

Descrizione

Riferimento	Filettatura maschio BSPT	Per tubo Ø est. (mm)
RPB MR0400	R 1/8	4
RPB MR0401	R 1/4	4
RPB MR0500	R 1/8	5
RPB MR0501	R 1/4	5
RPB MR0502	R 3/8	5
RPB MR0503	R 1/2	5

Riferimento	Filettatura maschio BSPT	Per tubo Ø est. (mm)
RPB MR0600	R 1/8	6
RPB MR0601	R 1/4	6
RPB MR0602	R 3/8	6
RPB MR0603	R 1/2	6
RPB MR0800	R 1/8	8
RPB MR0801	R 1/4	8
RPB MR0802	R 3/8	8
RPB MR0803	R 1/2	8
RPB MR1000	R 1/8	10
RPB MR1001	R 1/4	10
RPB MR1002	R 3/8	10
RPB MR1003	R 1/2	10
RPB MR1201	R 1/4	12
RPB MR1202	R 3/8	12
RPB MR1203	R 1/2	12
RPB MR1602	R 3/8	16
RPB MR1603	R 1/2	16



Dimensions

Riferimento	A mm	B mm	C mm	D mm	E mm
RPB MR0400	25	21.8	10	17.5	10
RPB MR0401	29	24	14	20	10
RPB MR0500	25	23	10	17.5	12.8
RPB MR0501	29	25.5	14	20	12.8
RPB MR0502	35	27.1	19	24	12.8
RPB MR0503	40	30.1	24	27	12.8
RPB MR0600	25	23	10	17.5	12.8
RPB MR0601	29	25.5	14	20	12.8
RPB MR0602	35	27.1	19	24	12.8
RPB MR0603	40	30.1	24	27	12.8
RPB MR0800	25	24.6	10	17.5	13.8
RPB MR0801	29	26.8	14	20	13.8
RPB MR0802	35	28.8	19	24	13.8
RPB MR0803	40	30.5	24	27	13.8
RPB MR1000	25	28.5	10	17.5	16.8
RPB MR1001	29	31	14	20	16.8
RPB MR1002	35	31	19	24	16.8

Riferimento	A mm	B mm	C mm	D mm	E mm
RPB MR1003	40	34	24	27	16.8
RPB MR1201	29	31.8	14	20	19.8
RPB MR1202	35	34	19	24	19.8
RPB MR1203	40	35.8	24	27	19.8
RPB MR1602	35	34.8	19	24	23.8
RPB MR1603	40	36.6	24	27	23.8