

## Gomito femmina 90°, girevole cilindrico - RPC FG



### Filettatura femmina

**BSPP**

G 1/8

### Per tubo Ø est. (mm)

4

### Pressione di

**utilizzo**

0 a 10 bar

### Temperatura

0°C a + 60°C

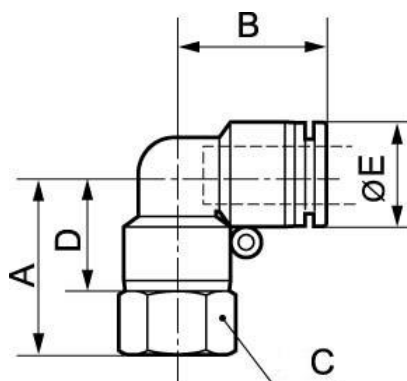
### Materiale

Polimero e ottone nichelato

## Descrizione

Riferimento	Filettatura femmina BSPP	Per tubo Ø est. (mm)
<b>RPC FG0400</b>	G 1/8	4
<b>RPC FG0401</b>	G 1/4	4
<b>RPC FG0500</b>	G 1/8	5
<b>RPC FG0501</b>	G 1/4	5
<b>RPC FG0502</b>	G 3/8	5
<b>RPC FG0503</b>	G 1/2	5
<b>RPC FG0600</b>	G 1/8	6
<b>RPC FG0601</b>	G 1/4	6

Riferimento	Filettatura femmina BSPP	Per tubo Ø est. (mm)
RPC FG0602	G 3/8	6
RPC FG0603	G 1/2	6
RPC FG0800	G 1/8	8
RPC FG0801	G 1/4	8
RPC FG0802	G 3/8	8
RPC FG0803	G 1/2	8
RPC FG1000	G 1/8	10
RPC FG1001	G 1/4	10
RPC FG1002	G 3/8	10
RPC FG1003	G 1/2	10
RPC FG1201	G 1/4	12
RPC FG1202	G 3/8	12
RPC FG1203	G 1/2	12
RPC FG1402	G 3/8	14
RPC FG1403	G 1/2	14
RPC FG1602	G 3/8	16
RPC FG1603	G 1/2	16



### Dimensions

Riferimento	A mm	B mm	C mm	D mm	E mm
RPC FG0400	22.5	17.5	12	15.5	10
RPC FG0401	23	17.5	17	15.5	10
RPC FG0500	25	20.5	12	18	12.8
RPC FG0501	25.5	20.5	17	18	12.8
RPC FG0502	26	20.5	19	18	12.8
RPC FG0503	28	20.5	24	18	12.8
RPC FG0600	25	20.5	12	18	12.8
RPC FG0601	25.5	20.5	17	18	12.8
RPC FG0602	26	20.5	19	18	12.8
RPC FG0603	28	20.5	24	18	12.8
RPC FG0800	26.7	22.5	14	19.7	13.8
RPC FG0801	27.2	22.5	17	19.7	13.8
RPC FG0802	27.7	22.5	19	19.7	13.8
RPC FG0803	29.7	22.5	24	19.7	13.8
RPC FG1000	30.2	26.3	19	23.2	16.8

Riferimento	A mm	B mm	C mm	D mm	E mm
<b>RPC FG1001</b>	30.7	26.3	19	23.2	16.8
<b>RPC FG1002</b>	31.2	26.3	19	23.2	16.8
<b>RPC FG1003</b>	33.2	26.3	24	23.2	16.8
<b>RPC FG1201</b>	31.5	27.8	19	24	19.8
<b>RPC FG1202</b>	32	27.8	21	24	19.8
<b>RPC FG1203</b>	34	27.8	24	24	19.8
<b>RPC FG1402</b>	33.5	29.8	22	25.5	22.7
<b>RPC FG1403</b>	35.5	29.8	24	25.5	22.7
<b>RPC FG1602</b>	35	30.8	24	27	23.8
<b>RPC FG1603</b>	37	30.8	24	27	23.8