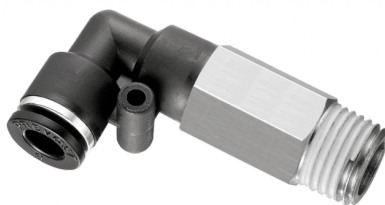


## Gomito maschio 90°, girevole lungo conico - RPC LR



### Filettatura maschio

**BSPT**

R 1/8

### Per tubo Ø est. (mm)

4

### Pressione di

**utilizzo**

0 a 10 bar

### Temperatura

0°C a + 60°C

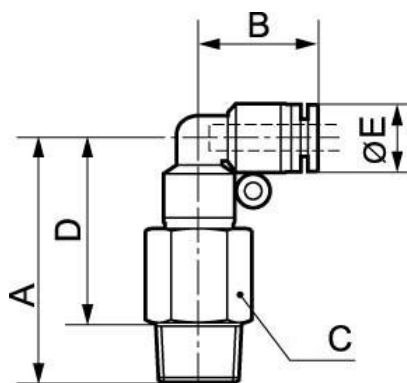
### Materiale

Polimero e ottone nichelato

## Descrizione

Riferimento	Filettatura maschio BSPT	Per tubo Ø est. (mm)
RPC LR0400	R 1/8	4
RPC LR0401	R 1/4	4
RPC LR0500	R 1/8	5
RPC LR0501	R 1/4	5
RPC LR0502	R 3/8	5
RPC LR0503	R 1/2	5
RPC LR0600	R 1/8	6
RPC LR0601	R 1/4	6

Riferimento	Filettatura maschio BSPT	Per tubo Ø est. (mm)
RPC LR0602	R 3/8	6
RPC LR0603	R 1/2	6
RPC LR0800	R 1/8	8
RPC LR0801	R 1/4	8
RPC LR0802	R 3/8	8
RPC LR0803	R 1/2	8
RPC LR1000	R 1/8	10
RPC LR1001	R 1/4	10
RPC LR1002	R 3/8	10
RPC LR1003	R 1/2	10
RPC LR1201	R 1/4	12
RPC LR1202	R 3/8	12
RPC LR1203	R 1/2	12
RPC LR1402	R 3/8	14
RPC LR1403	R 1/2	14
RPC LR1602	R 3/8	16
RPC LR1603	R 1/2	16



### Dimensions

Riferimento	A mm	B mm	C mm	D mm	E mm
RPC LR0400	35.5	17.5	10	28	10
RPC LR0401	37	17.5	14	28	10
RPC LR0500	40.5	20.5	12	33	12.8
RPC LR0501	43.5	20.5	14	34.5	12.8
RPC LR0502	46	20.5	17	35	12.8
RPC LR0503	48.5	20.5	21	35.5	12.8
RPC LR0600	40.5	20.5	12	33	12.8
RPC LR0601	43.5	20.5	14	34.5	12.8
RPC LR0602	46	20.5	17	35	12.8
RPC LR0603	48.5	20.5	21	35.5	12.8
RPC LR0800	44	22.5	14	36.5	13.8
RPC LR0801	45.5	22.5	14	36.5	13.8
RPC LR0802	48	22.5	17	37	13.8
RPC LR0803	50.5	22.5	21	37.5	13.8
RPC LR1000	51.2	26.3	17	43.7	16.8

Riferimento	A mm	B mm	C mm	D mm	E mm
<b>RPC LR1001</b>	52.7	26.3	17	43.7	16.8
<b>RPC LR1002</b>	54.7	26.3	17	43.7	16.8
<b>RPC LR1003</b>	57.2	26.3	21	44.2	16.8
<b>RPC LR1201</b>	55.5	27.8	19	46.5	19.8
<b>RPC LR1202</b>	58	27.8	19	47	19.8
<b>RPC LR1203</b>	60	27.8	21	47	19.8
<b>RPC LR1402</b>	60.5	29.8	22	49.5	22.7
<b>RPC LR1403</b>	62.5	29.8	22	49.5	22.7
<b>RPC LR1602</b>	62	30.8	24	51	23.8
<b>RPC LR1603</b>	64	30.8	24	51	23.8