

Raccordo dritto maschio cilindrico - RPD MG



Filettatura maschio

BSPP

G 1/8

Per tubo Ø est. (mm)

4

Pressione di utilizzo

0 a 10 bar

Temperatura

0°C a + 60°C

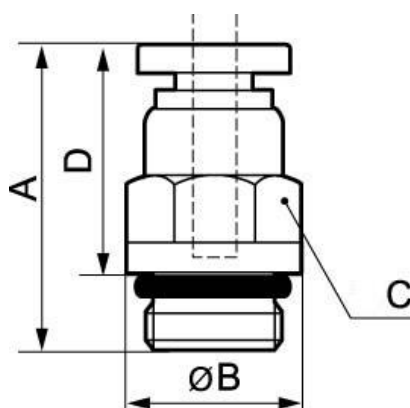
Materiale

Polimero e ottone nichelato

Descrizione

Riferimento	Filettatura maschio BSPP	Per tubo Ø est. (mm)
RPD MG0400	G 1/8	4
RPD MG0401	G 1/4	4
RPD MG0500	G 1/8	5
RPD MG0501	G 1/4	5
RPD MG0502	G 3/8	5
RPD MG0503	G 1/2	5

Riferimento	Filettatura maschio BSPP	Per tubo Ø est. (mm)
RPD MG0600	G 1/8	6
RPD MG0601	G 1/4	6
RPD MG0602	G 3/8	6
RPD MG0603	G 1/2	6
RPD MG0800	G 1/8	8
RPD MG0801	G 1/4	8
RPD MG0802	G 3/8	8
RPD MG0803	G 1/2	8
RPD MG1000	G 1/8	10
RPD MG1001	G 1/4	10
RPD MG1002	G 3/8	10
RPD MG1003	G 1/2	10
RPD MG1201	G 1/4	12
RPD MG1202	G 3/8	12
RPD MG1203	G 1/2	12
RPD MG1402	G 3/8	14
RPD MG1403	G 1/2	14
RPD MG1602	G 3/8	16
RPD MG1603	G 1/2	16



Dimensions

Riferimento	A mm	B mm	C mm	D mm
RPD MG0400	20	14	12	14.5
RPD MG0401	19	16.5	14	13
RPD MG0500	24	14	12	18.5
RPD MG0501	21	16.5	14	15
RPD MG0502	21	20	17	14.5
RPD MG0503	22.5	22	19	14.5
RPD MG0600	24	14	12	18.5
RPD MG0601	21	16.5	14	15
RPD MG0602	21	20	17	20.5
RPD MG0603	22.5	22	19	14.5
RPD MG0800	25.5	16.5	14	20
RPD MG0801	22	16.5	14	16
RPD MG0802	21	20	17	14.5
RPD MG0803	22.5	22	19	14.5
RPD MG1000	27.8	20	17	22.3

Riferimento	A mm	B mm	C mm	D mm
RPD MG1001	27.8	20	17	21.8
RPD MG1002	25.8	22	19	19.3
RPD MG1003	26.3	25	21	18.3
RPD MG1201	30	22	19	24
RPD MG1202	26.5	22	19	20
RPD MG1203	28	25	21	20
RPD MG1402	30.8	25.5	22	24.3
RPD MG1403	28	28	24	20
RPD MG1602	33	28	24	26.5
RPD MG1603	34.5	28	24	26.5