

Gomito maschio 90°, girevole conico - RPC MR



Filettatura maschio

BSPT

R 1/8

Per tubo Ø est. (mm)

4

Pressione di

utilizzo

0 a 10 bar

Temperatura

0°C a + 60°C

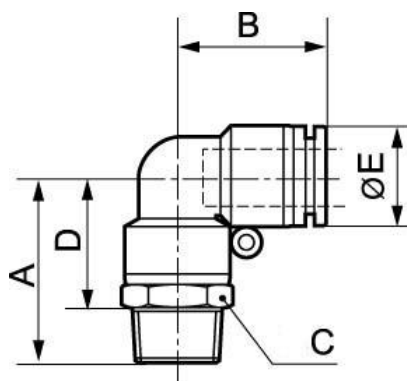
Materiale

Polimero e ottone nichelato

Descrizione

Riferimento	Filettatura maschio BSPT	Per tubo Ø est. (mm)
RPC MR0400	R 1/8	4
RPC MR0401	R 1/4	4
RPC MR0500	R 1/8	5
RPC MR0501	R 1/4	5
RPC MR0502	R 3/8	5
RPC MR0503	R 1/2	5
RPC MR0600	R 1/8	6
RPC MR0601	R 1/4	6

Riferimento	Filettatura maschio BSPT	Per tubo Ø est. (mm)
RPC MR0602	R 3/8	6
RPC MR0603	R 1/2	6
RPC MR0800	R 1/8	8
RPC MR0801	R 1/4	8
RPC MR0802	R 3/8	8
RPC MR0803	R 1/2	8
RPC MR1000	R 1/8	10
RPC MR1001	R 1/4	10
RPC MR1002	R 3/8	10
RPC MR1003	R 1/2	10
RPC MR1201	R 1/4	12
RPC MR1202	R 3/8	12
RPC MR1203	R 1/2	12
RPC MR1402	R 3/8	14
RPC MR1403	R 1/2	14
RPC MR1602	R 3/8	16
RPC MR1603	R 1/2	16



Dimensions

Riferimento	A mm	B mm	C mm	D mm	E mm
RPC MR0400	25	17.5	10	17.5	10
RPC MR0401	26.5	17.5	14	17.5	10
RPC MR0500	27.5	20.5	12	20	12.8
RPC MR0501	29	20.5	14	20	12.8
RPC MR0502	31.5	20.5	17	20.5	12.8
RPC MR0503	34	20.5	21	21	12.8
RPC MR0600	27.5	20.5	12	20	12.8
RPC MR0601	29	20.5	14	20	12.8
RPC MR0602	31.5	20.5	17	20.5	12.8
RPC MR0603	34	20.5	21	21	12.8
RPC MR0800	29.5	22.5	14	22	13.8
RPC MR0801	31	22.5	14	22	13.8
RPC MR0802	33.5	22.5	17	22.5	13.8
RPC MR0803	36	22.5	21	23	13.8
RPC MR1000	33.2	26.3	17	25.7	16.8

Riferimento	A mm	B mm	C mm	D mm	E mm
RPC MR1001	34.7	26.3	17	25.7	16.8
RPC MR1002	36.7	26.3	17	25.7	16.8
RPC MR1003	39.2	26.3	21	26.2	16.8
RPC MR1201	35.5	27.8	19	26.5	19.8
RPC MR1202	38	27.8	19	27	19.8
RPC MR1203	40	27.8	21	27	19.8
RPC MR1402	40	29.8	22	29	22.7
RPC MR1403	42	29.8	22	29	22.7
RPC MR1602	41.5	30.8	24	30.5	23.8
RPC MR1603	43.5	30.8	24	30.5	23.8